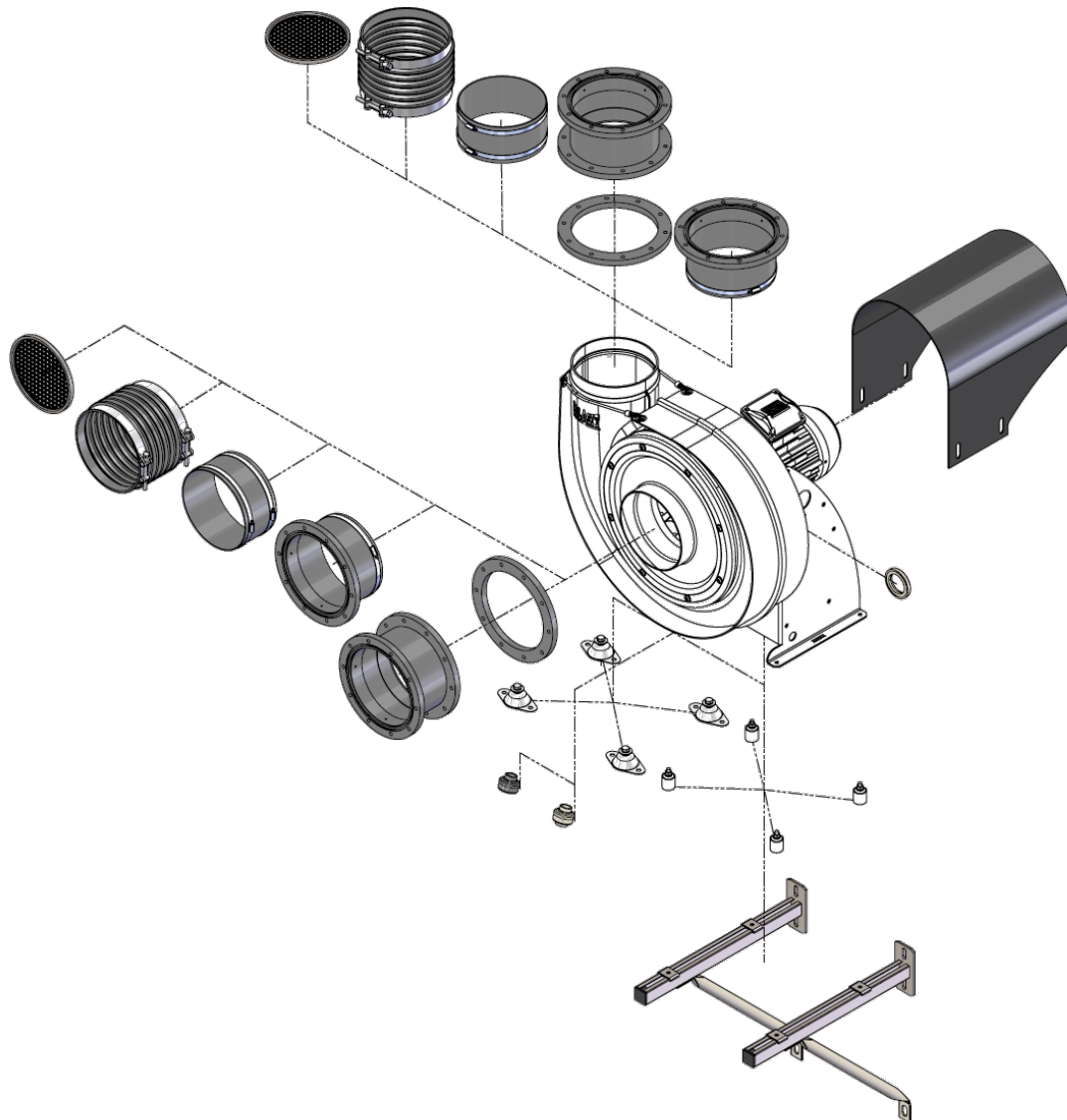


Overview



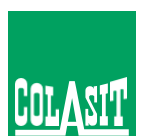
|                                                                   |    |
|-------------------------------------------------------------------|----|
| Hub seal .....                                                    | 2  |
| Sleeve round with fixing bands* .....                             | 3  |
| Sleeve round with one side flange and fixing bands* .....         | 4  |
| Sleeve round with both side flange * .....                        | 5  |
| Wellflex-sleeve with fixing bands * .....                         | 6  |
| Mesh grid * .....                                                 | 7  |
| Vibration damper / Bell damper for floor/ceiling mounting * ..... | 8  |
| Flange CN .....                                                   | 9  |
| Drain .....                                                       | 11 |
| Motor cover .....                                                 | 12 |
| Wall brackets .....                                               | 13 |

\* Required items for operation

Edition 2023 • Subject to alteration • Copyright by COLASIT AG Spiez

COLASIT AG  
 Plastic construction • Faulenbachweg 63 • CH-3700 Spiez  
 Phone +41 (0)33 655 61 61 • fans@colasit.com  
[www.colasit.com](http://www.colasit.com)

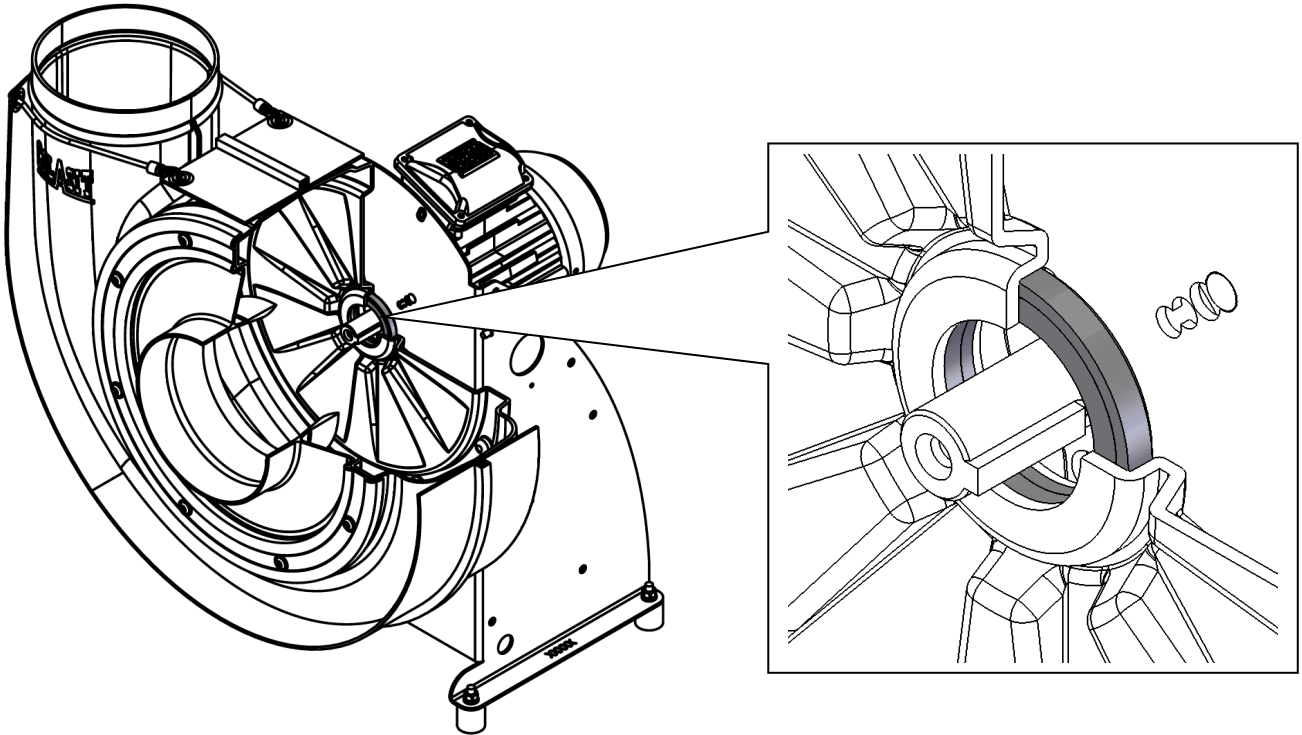
Competence in plastics. Worldwide.



**Hub seal**

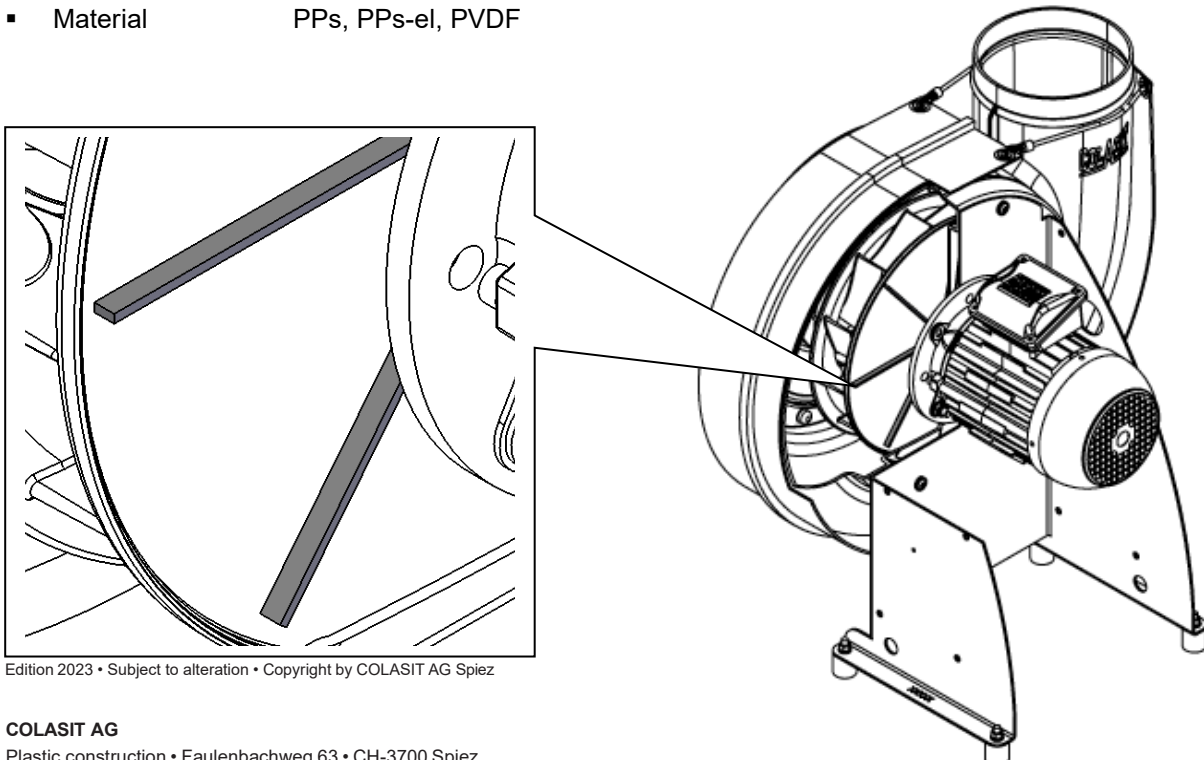
Felt ring seal

- Material                   PPs, PPs-el, PVDF, Felt



**Back blades (under pressure in the hub area)**

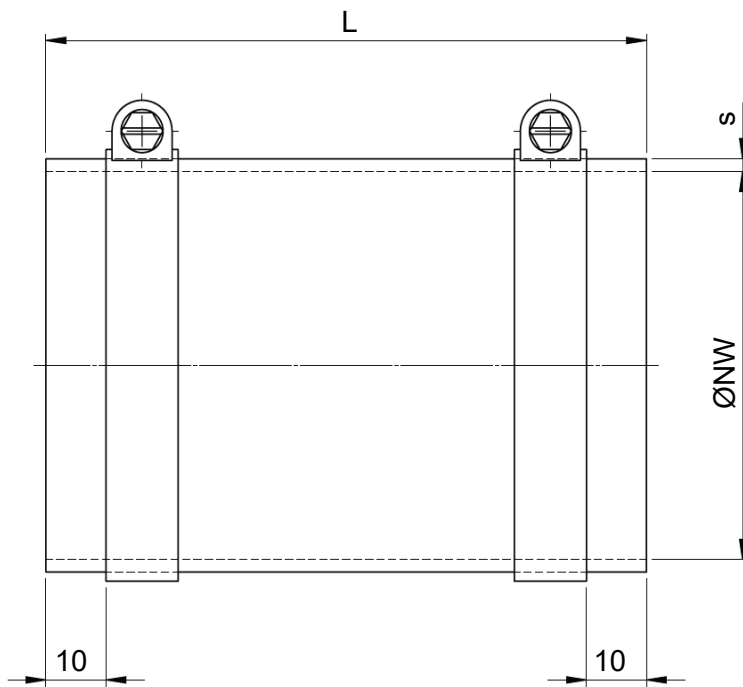
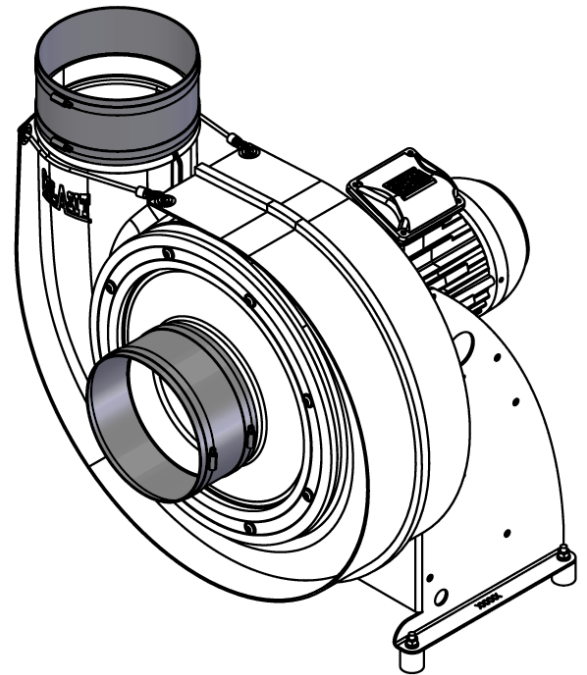
- Material                   PPs, PPs-el, PVDF



Edition 2023 • Subject to alteration • Copyright by COLASIT AG Spiez

Sleeve round with fixing bands\*

- Material Soft-PVC (Sleeve)  
Stainless steel (Fixing bands)

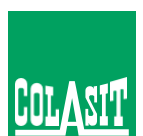


| Ø NW                    | L   | s |
|-------------------------|-----|---|
| 125, 160, 200, 250, 315 | 100 | 2 |
| 400                     | 125 | 3 |

Edition 2023 • Subject to alteration • Copyright by COLASIT AG Spiez

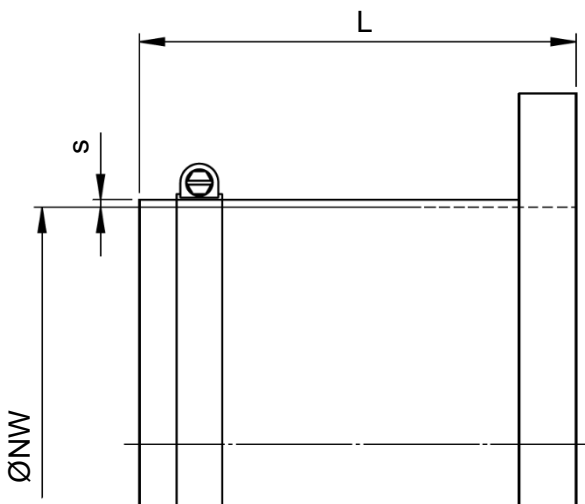
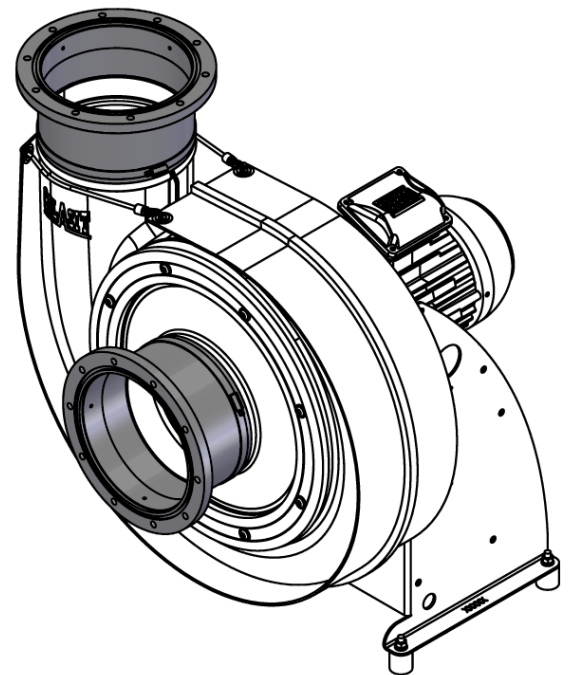
COLASIT AG  
Plastic construction • Faulenbachweg 63 • CH-3700 Spiez  
Phone +41 (0)33 655 61 61 • fans@colasit.com  
www.colasit.com

Competence in plastics. Worldwide.



**Sleeve round with one side flange and fixing bands\***

- Material           PVC (Flange)  
                      Soft-PVC (Sleeve)  
                      Stainless steel (Fixing bands)
- Use                 in combination with «Flange CN»



| Ø NW                    | L   | s |
|-------------------------|-----|---|
| 125, 160, 200, 250, 315 | 115 | 2 |
| 400                     | 140 | 3 |

Edition 2023 • Subject to alteration • Copyright by COLASIT AG Spiez

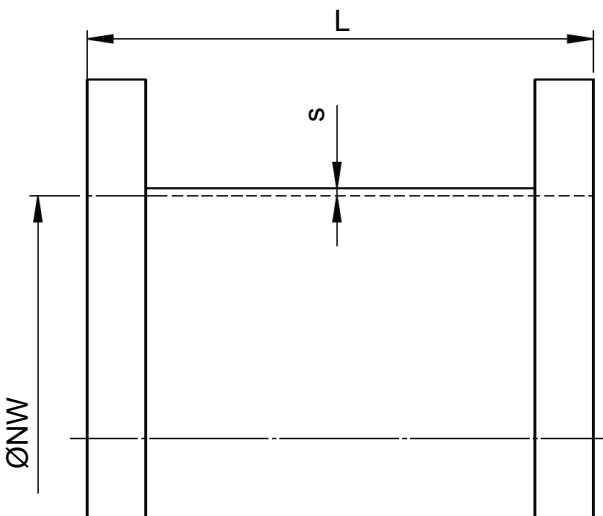
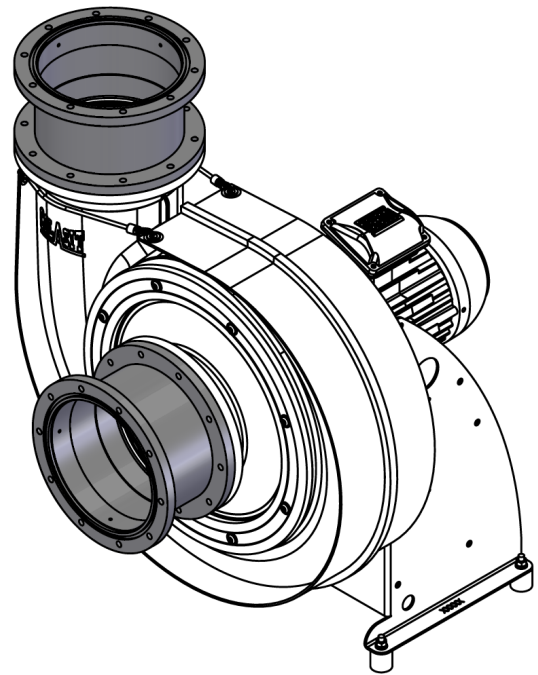
**COLASIT AG**  
 Plastic construction • Faulenbachweg 63 • CH-3700 Spiez  
 Phone +41 (0)33 655 61 61 • fans@colasit.com  
[www.colasit.com](http://www.colasit.com)

Competence in plastics. Worldwide.



**Sleeve round with both side flanges \***

- Material           PVC (Flange)  
                      Soft-PVC (Sleeve)
- Use                 in combination with «Flange CN»



| Ø NW                    | L   | s |
|-------------------------|-----|---|
| 125, 160, 200, 250, 315 | 130 | 2 |
| 400                     | 155 | 3 |

Edition 2023 • Subject to alteration • Copyright by COLASIT AG Spiez

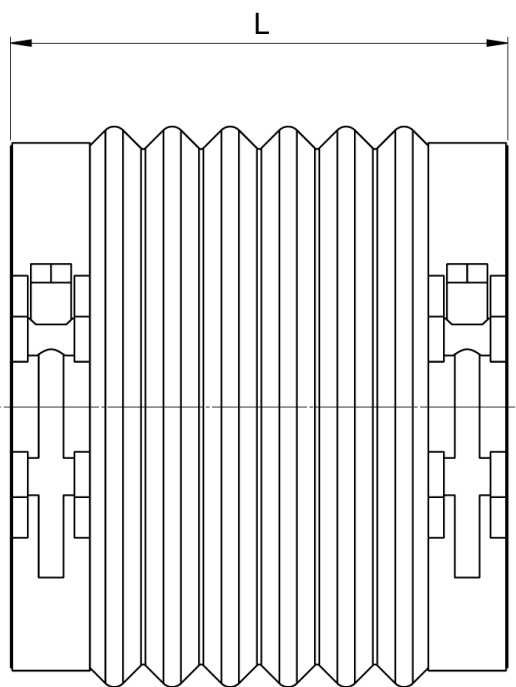
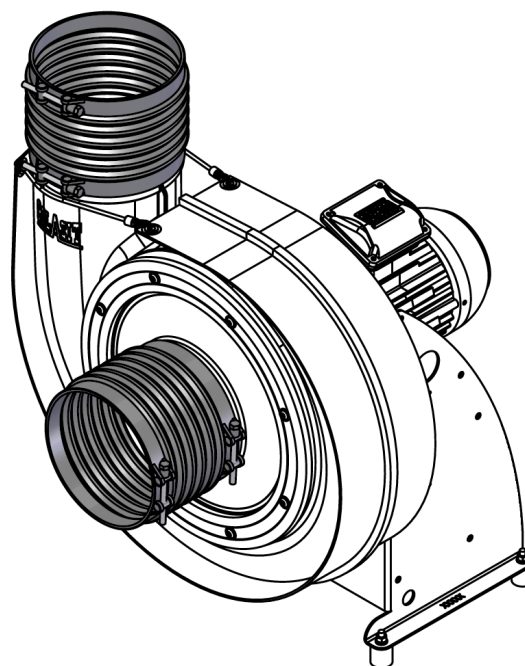
**COLASIT AG**  
 Plastic construction • Faulenbachweg 63 • CH-3700 Spiez  
 Phone +41 (0)33 655 61 61 • fans@colasit.com  
[www.colasit.com](http://www.colasit.com)

Competence in plastics. Worldwide.



## Wellflex-sleeve with fixing bands \*

- Material           PVC-el (Sleeve, electrically conductive)  
                          Galvanised (Fixing bands)
- Use                 ATEX (Zone 1)



| NW Ø          | L   |
|---------------|-----|
| 125, 160, 200 | 155 |
| 250, 315, 400 | 160 |

Edition 2023 • Subject to alteration • Copyright by COLASIT AG Spiez

### COLASIT AG

Plastic construction • Faulenbachweg 63 • CH-3700 Spiez  
Phone +41 (0)33 655 61 61 • fans@colasit.com

[www.colasit.com](http://www.colasit.com)

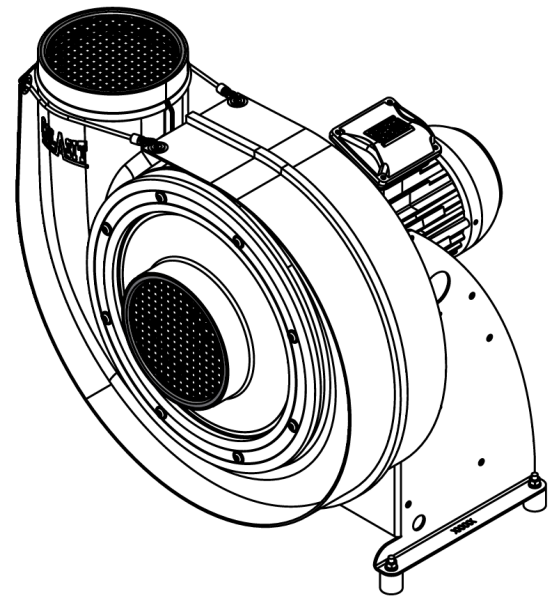
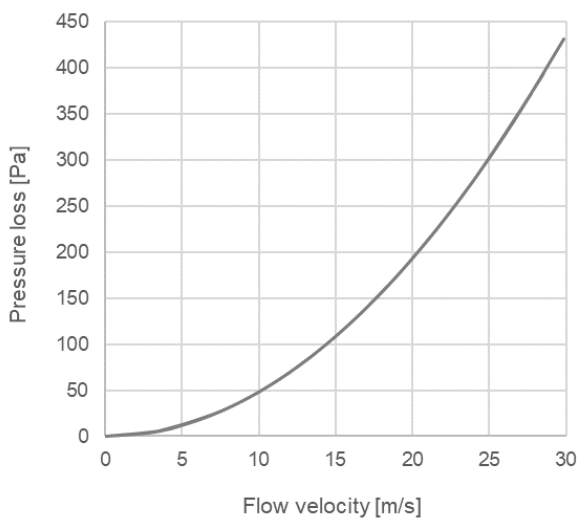
Competence in plastics. Worldwide.



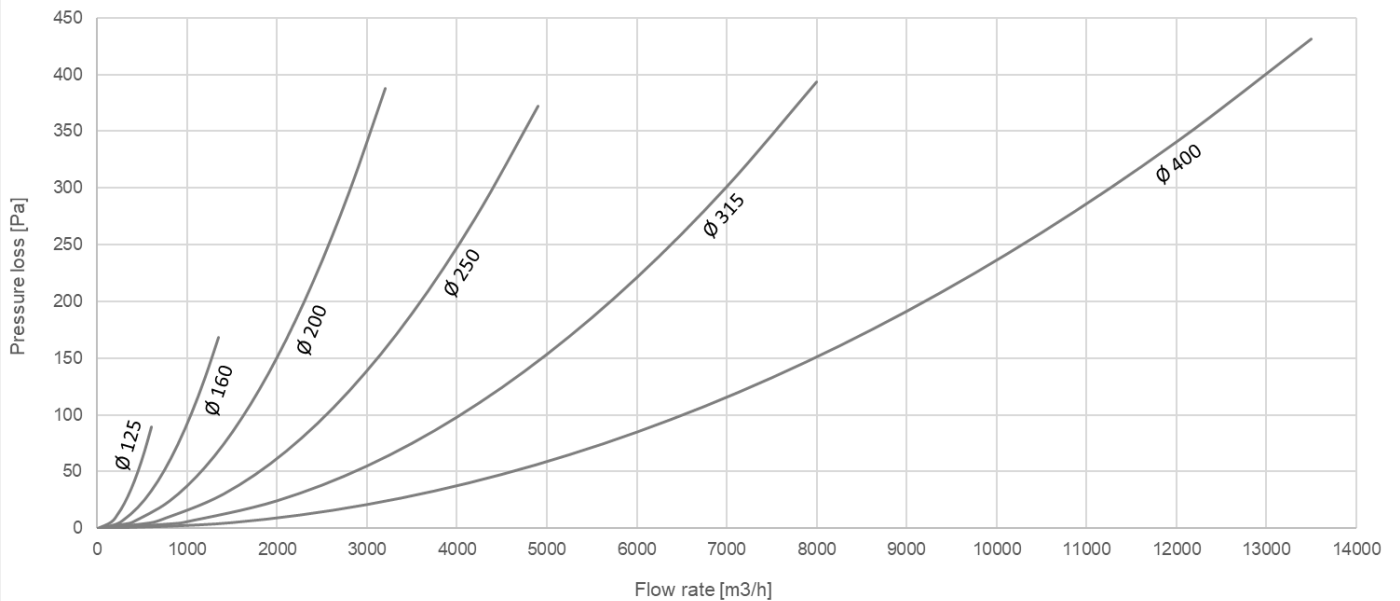
**Mesh grid \***

- Material PPs, PPs-el (same material as casing / inlet cone)
- Square perforation 10mm (IP20)
- Free cross section 69.4%
- Mounting welded
- Use only required when free suction or discharge

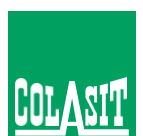
Pressure loss / Flow velocity



Pressure loss / Flow rate

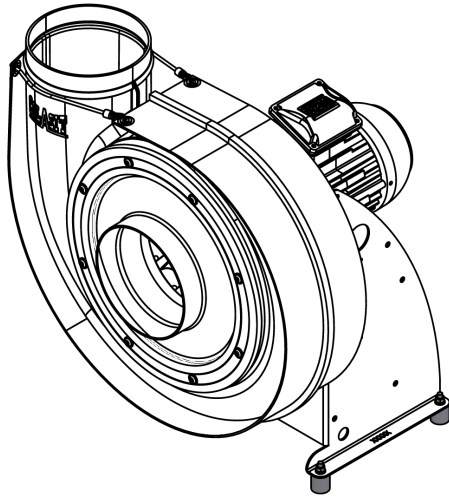


Edition 2023 • Subject to alteration • Copyright by COLASIT AG Spiez

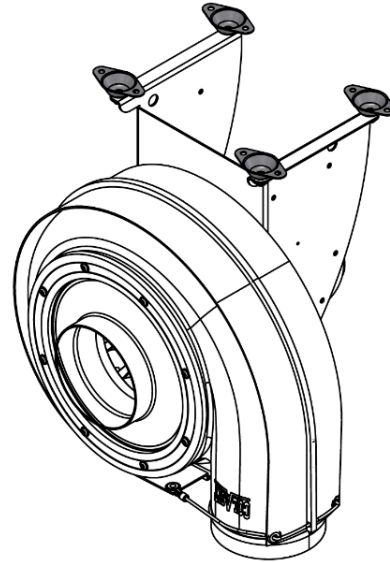


Vibration absorber / Bell mount for floor/ceiling mounting \*

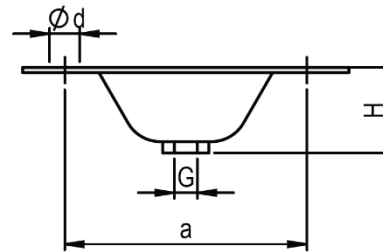
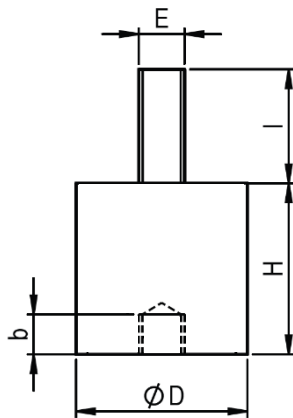
- Material: Natural rubber (vibration element)  
Galvanised, stainless steel (vibration damper fastening)  
Galvanised (bell damper fastening)



Vibration damper for floor mounting



Bell damper for ceiling mounting

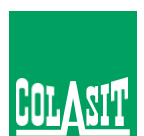


| Vibration absorber Type | Dimensions |    |    |    |   | Max. Load per damper |
|-------------------------|------------|----|----|----|---|----------------------|
|                         | D          | H  | E  | I  | b |                      |
| 30/30, B                | 30         | 30 | M8 | 20 | 7 | 50 kg                |
| 40/40, B                | 40         | 40 | M8 | 23 | 7 | 90 kg                |

| Bell Mount Type | Dimensions |     |    |      | Max. Load per damper |
|-----------------|------------|-----|----|------|----------------------|
|                 | H          | G   | a  | d    |                      |
| M6              | 33         | M6  | 58 | 6,5  | 16 kg                |
| M10             | 30         | M10 | 85 | 10,5 | 50 kg                |

| Fan Type             | Floor mounting | Ceiling mounting | Quantity per fan |
|----------------------|----------------|------------------|------------------|
| CMVpro 125, 160, 200 | 30/30, B       | M6               | 4                |
| CMVpro 250, 315, 400 | 40/40, B       | M10              | 4                |

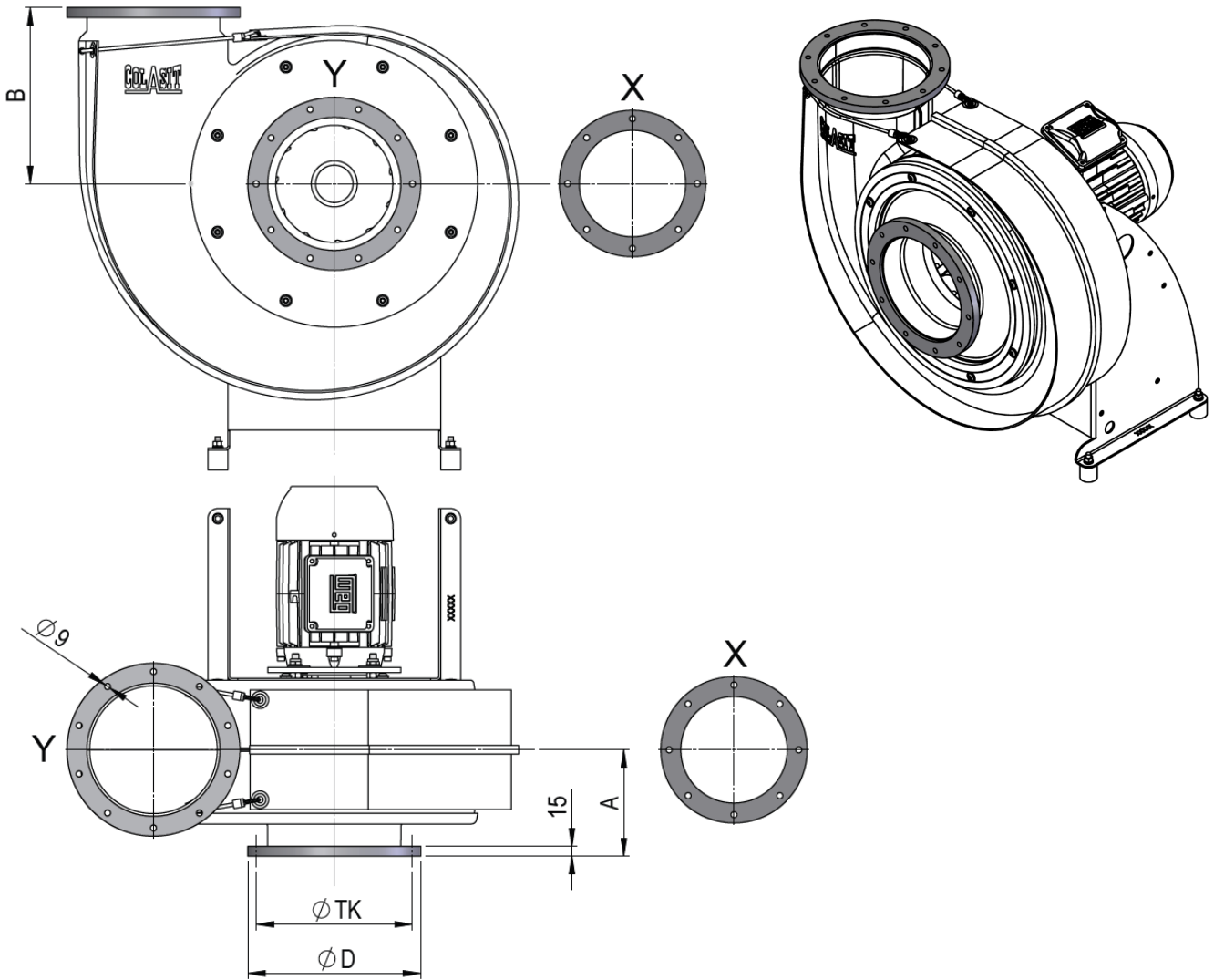
Edition 2023 • Subject to alteration • Copyright by COLASIT AG Spiez





Flange CN

- Material PPs, PPs-el, PVDF (same material as casing / inlet cone)

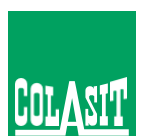


| Ø NW | A   | B   | Ø D | Ø TK | Qty. Ø9 | Hole layout |
|------|-----|-----|-----|------|---------|-------------|
| 125  | 115 | 180 | 185 | 160  | 6       | Y           |
| 160  | 135 | 221 | 220 | 195  | 8       | X           |
| 200  | 160 | 270 | 260 | 235  | 10      | Y           |
| 250  | 195 | 325 | 310 | 285  | 10      | Y           |
| 315  | 230 | 396 | 375 | 350  | 12      | X           |
| 400  | 275 | 465 | 480 | 445  | 18      | Y           |

Edition 2023 • Subject to alteration • Copyright by COLASIT AG Spiez

COLASIT AG  
 Plastic construction • Faulenbachweg 63 • CH-3700 Spiez  
 Phone +41 (0)33 655 61 61 • fans@colasit.com  
 www.colasit.com

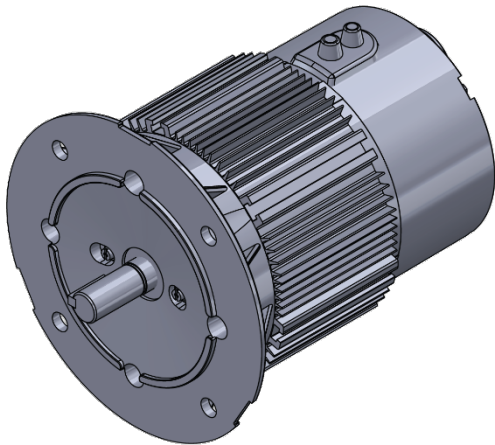
Competence in plastics. Worldwide.



**Frequency converter for speed control**

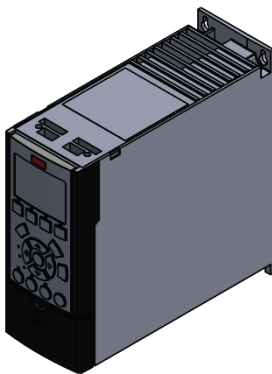
Motor with integrated frequency converter

- Protection IP55
- Speed control Continuous with external control signal

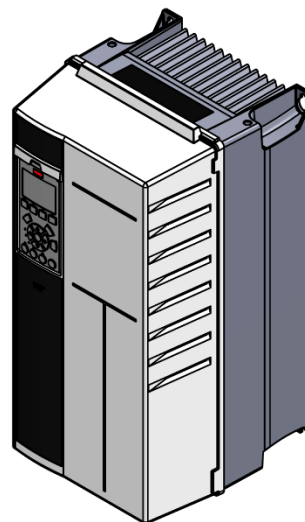


Frequency converter

- Protection IP20 / IP55
- Speed control Continuous with integrated control panel  
Continuous with external control signal



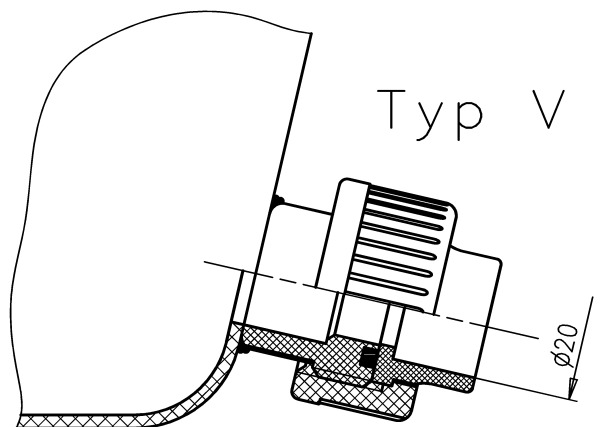
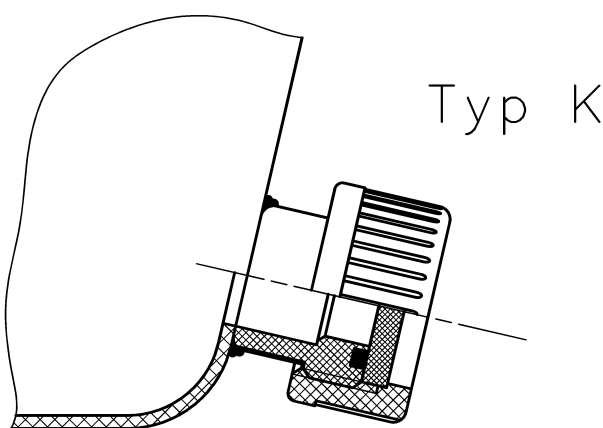
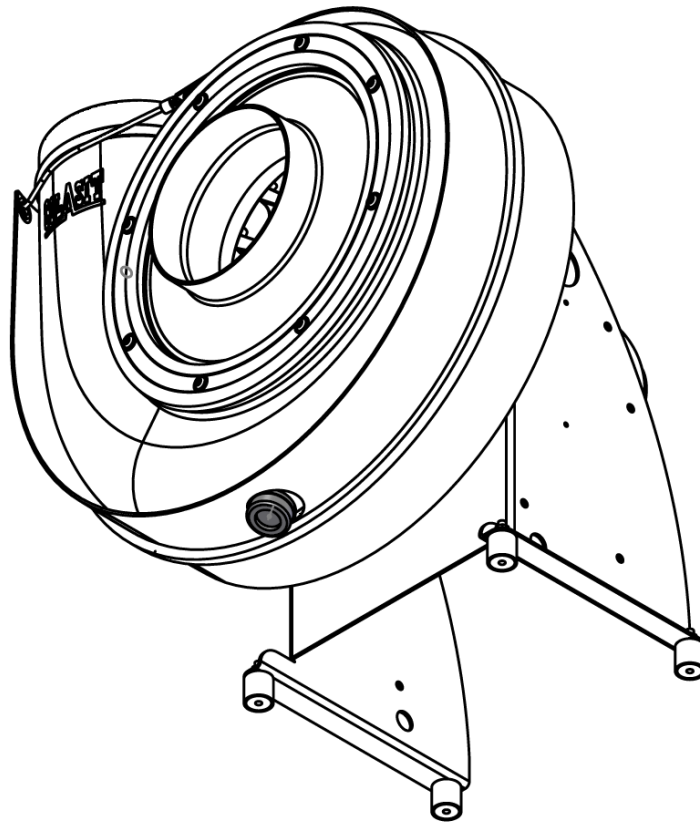
*Frequency converter IP20  
for control cabinet installation*



*Frequency converter IP55  
for external installation*

Drain

- Material PP, PVDF

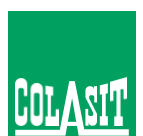


| Fan Type       | with cap | with screw connection |
|----------------|----------|-----------------------|
| CMVpro 125-400 | Typ K    | Typ V                 |

Edition 2023 • Subject to alteration • Copyright by COLASIT AG Spiez

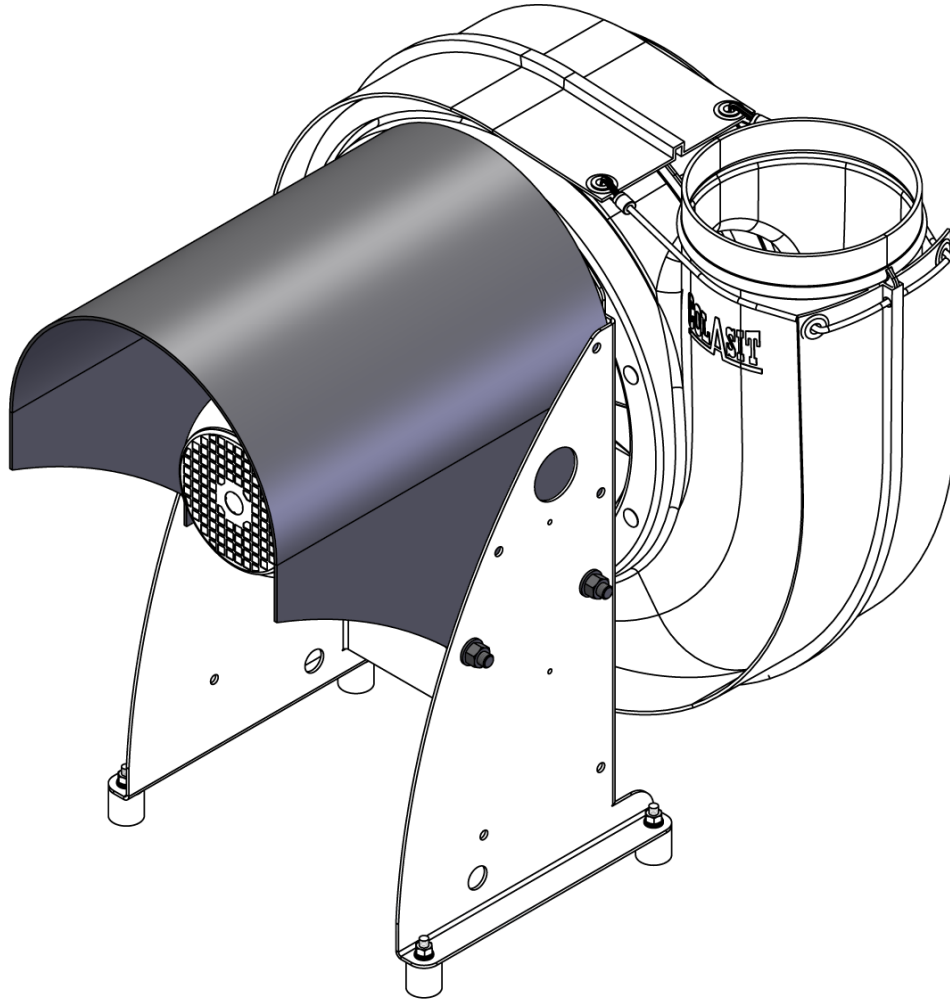
**COLASIT AG**  
 Plastic construction • Faulenbachweg 63 • CH-3700 Spiez  
 Phone +41 (0)33 655 61 61 • fans@colasit.com  
[www.colasit.com](http://www.colasit.com)

Competence in plastics. Worldwide.



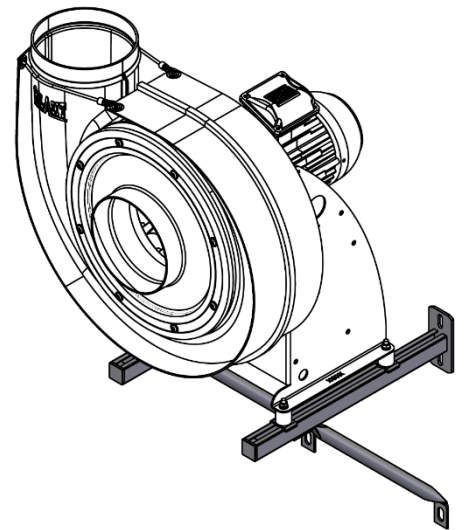
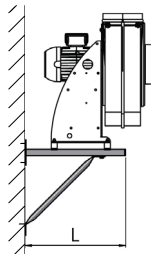
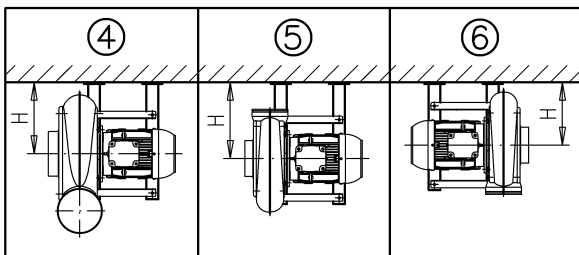
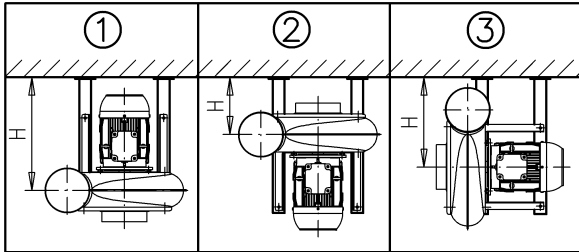
**Motor cover**

- Material PE, PPs-el (Motor cover)  
Galvanised, stainless steel (Fastening)



Wall brackets

- Material Galvanised, stainless steel



|            |   | Mounting positions |      |      |      |      |      |
|------------|---|--------------------|------|------|------|------|------|
|            |   | 1                  | 2    | 3    | 4    | 5    | 6    |
| CMVpro 125 | L | 500                | 500  | 500  | 500  | 500  | 500  |
|            | H | 480                | 180  | 310  | 270  | 300  | 290  |
| CMVpro 160 | L | 500                | 500  | 500  | 500  | 500  | 500  |
|            | H | 480                | 180  | 330  | 290  | 300  | 300  |
| CMVpro 200 | L | 500                | 750  | 750  | 500  | 750  | 750  |
|            | H | 500                | 290  | 470  | 290  | 440  | 440  |
| CMVpro 250 | L | 750                | 750  | 750  | 750  | 750  | 750  |
|            | H | 690                | 290  | 490  | 420  | 450  | 450  |
| CMVpro 315 | L | 750                | 750  | 1000 | 750  | 1000 | 1000 |
|            | H | 710                | 280  | 640  | 450  | 580  | 600  |
| CMVpro 400 | L | 750                | 1000 | 1000 | 1000 | 1000 | 1000 |
|            | H | 790                | 400  | 670  | 560  | 580  | 610  |

Edition 2023 • Subject to alteration • Copyright by COLASIT AG Spiez

**COLASIT AG**  
 Plastic construction • Faulenbachweg 63 • CH-3700 Spiez  
 Phone +41 (0)33 655 61 61 • fans@colasit.com  
[www.colasit.com](http://www.colasit.com)

Competence in plastics. Worldwide.

