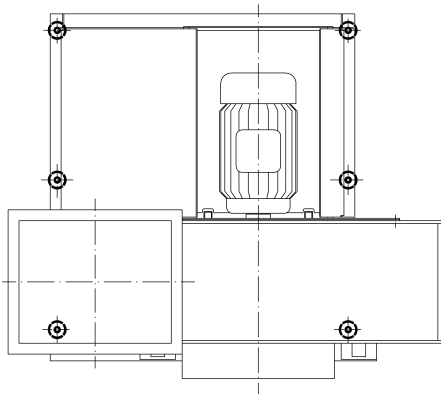
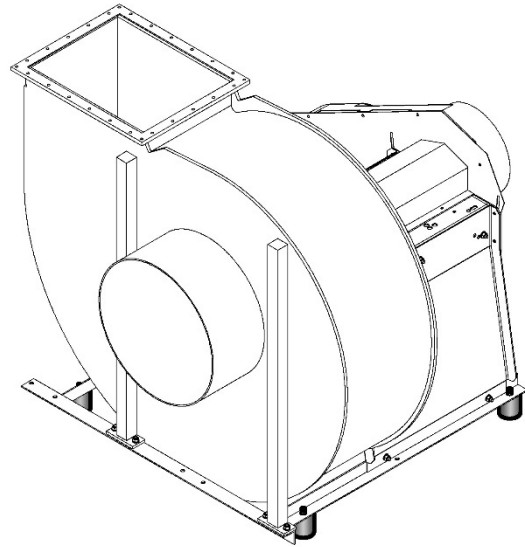
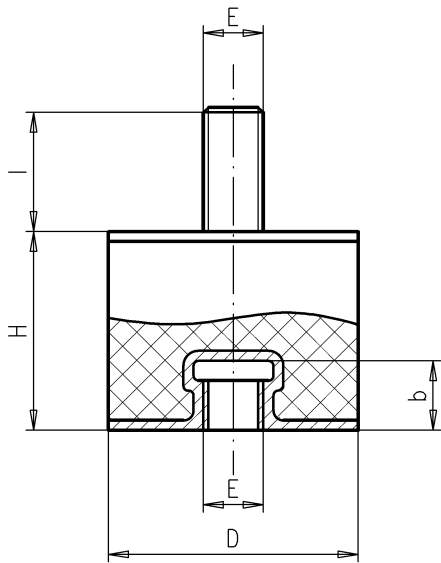
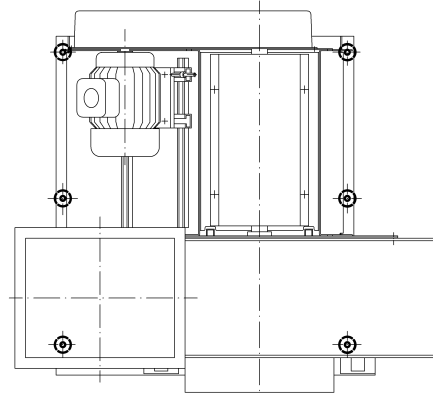


Vibration absorbers



Direct drive



V-belt drive

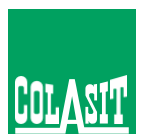
Vibration absorbers Type	Dimensions				
	D	H	E	l	b
V 8/40	40	40	M8	23	7
V 8/50	50	40	M10	25	10

Fan Type CHVN	Type	Number of elements
315-450	V 8/40	6
500-710	V 8/50	6

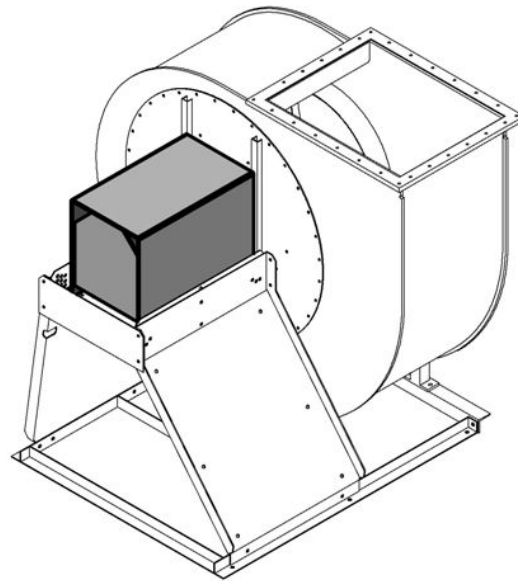
Edition 2023 • Subject to alteration • Copyright by COLASIT AG Spiez

COLASIT AG
 Plastic construction • Faulenbachweg 63 • CH-3700 Spiez
 Phone +41 (0)33 655 61 61 • fans@colasit.com
www.colasit.com

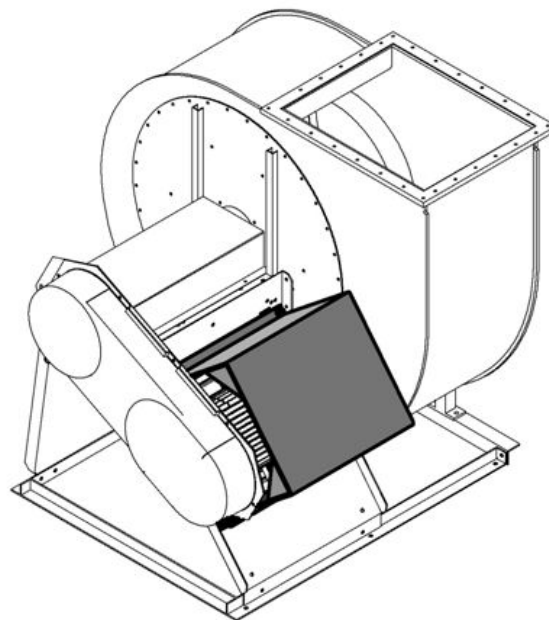
Competence in plastics. Worldwide.



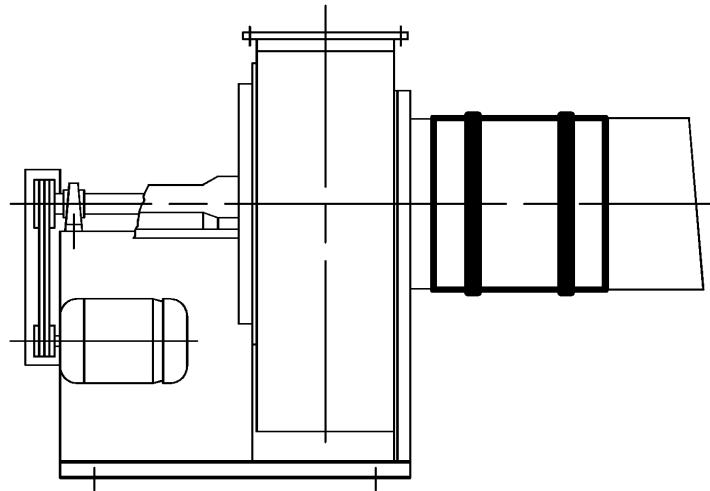
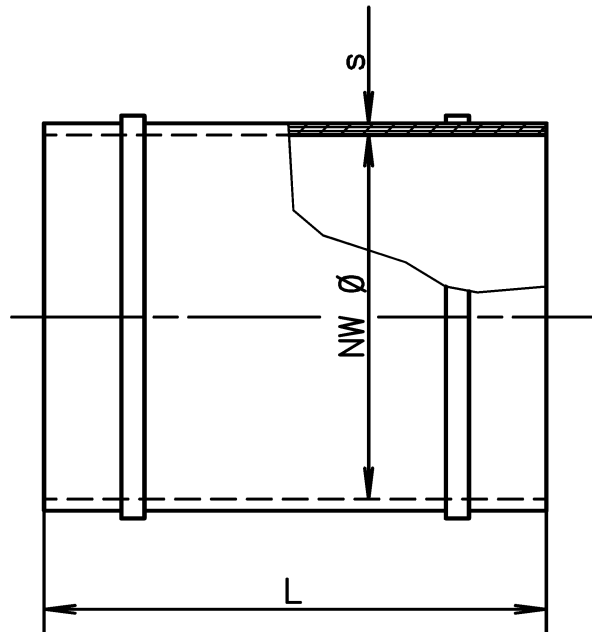
Motor cover direct drive



Motor cover v-belt drive



Sleeve PVC round with fixing bands, stainless



NW Ø	L	s
315	100	3
355-400	125	3
450-500	160	3
560-710	200	3
800-1250	250	3

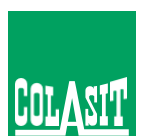
Edition 2023 • Subject to alteration • Copyright by COLASIT AG Spiez

COLASIT AG

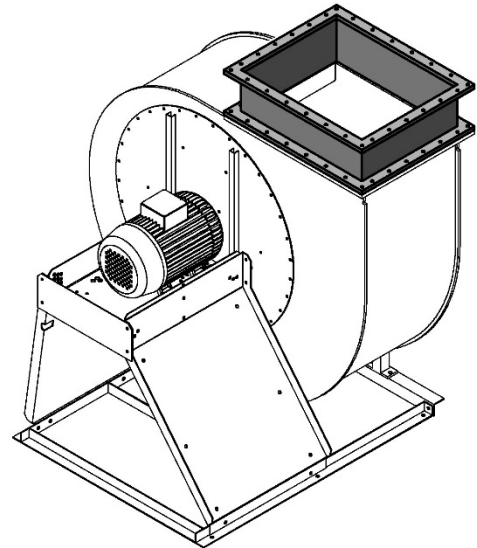
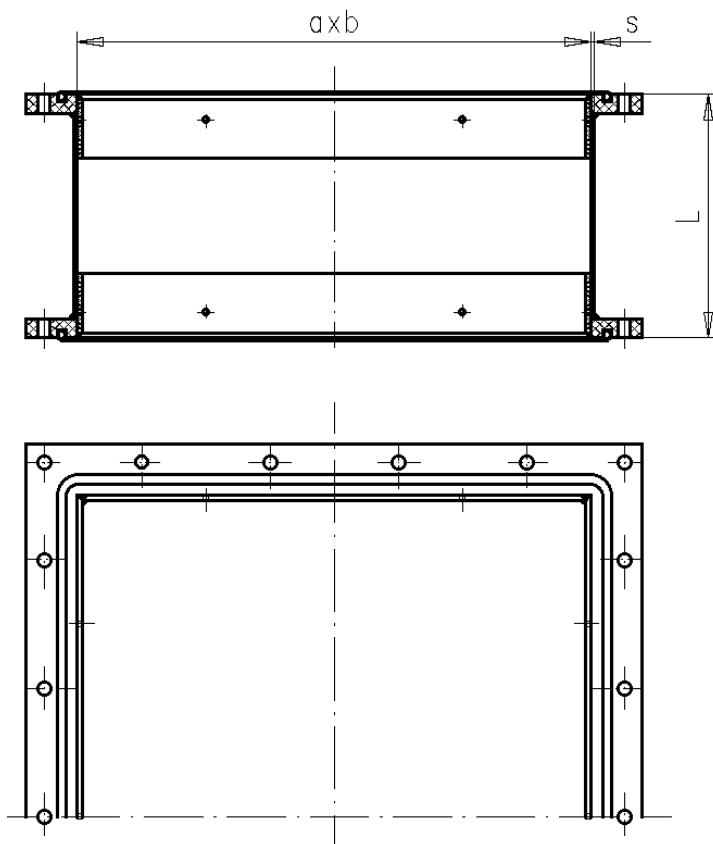
Plastic construction • Faulenbachweg 63 • CH-3700 Spiez
Phone +41 (0)33 655 61 61 • fans@colasit.com

www.colasit.com

Competence in plastics. Worldwide.



Sleeve PVC rectangular with flanges on both sides



Fan Type CHVN	a x b	Dimensions	
		L	S
315	424 x 188	130	3
355	488 x 224	155	3
400	546 x 258	155	3
450	450 x 355	190	3
500	500 x 400	190	3
560	560 x 450	240	3
630	630 x 500	240	3
710	710 x 560	240	3
800	800 x 630	290	3
900	900 x 710	290	3
1000	1000 x 800	290	3
1120	1120 x 900	290	3
1250	1250 x 1000	290	3

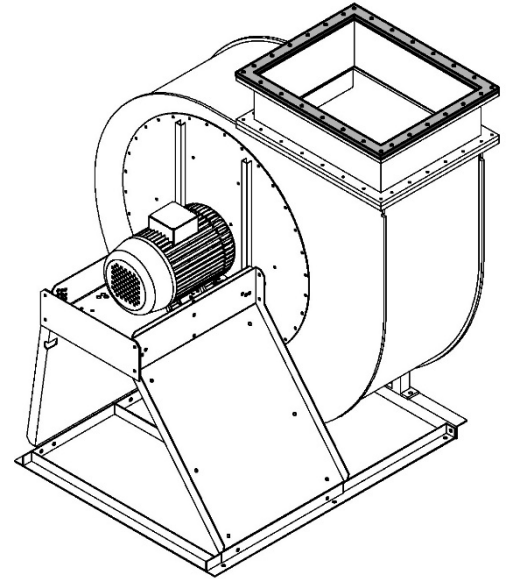
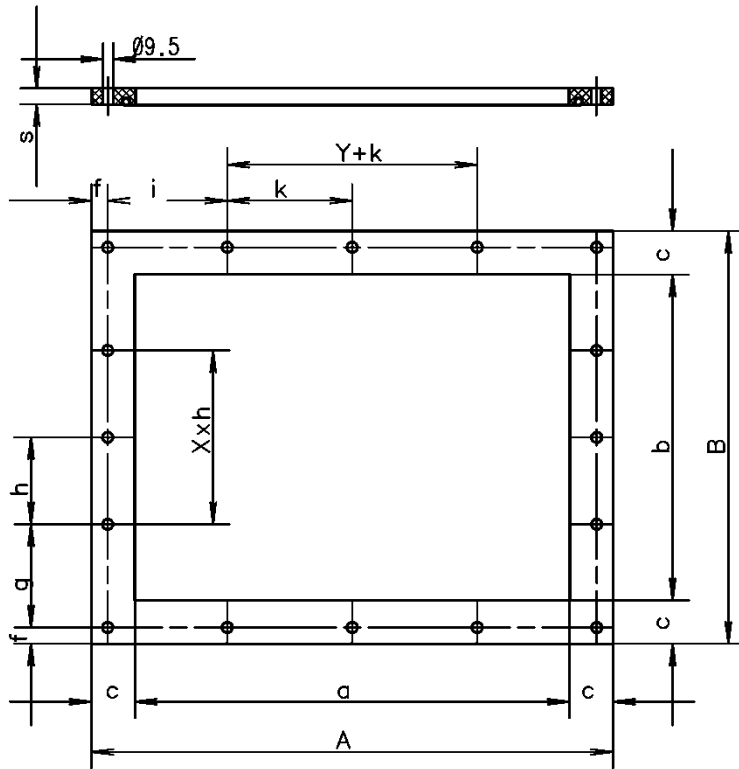
Edition 2023 • Subject to alteration • Copyright by COLASIT AG Spiez

COLASIT AG
 Plastic construction • Faulenbachweg 63 • CH-3700 Spiez
 Phone +41 (0)33 655 61 61 • fans@colasit.com
www.colasit.com

Competence in plastics. Worldwide.



Flange rectangular PP / PPs / PPs-el / PVC / PE / PVDF

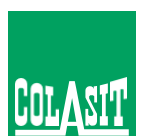


Fan Type CHVN	Dimensions											
	A	B	a	b	c	s	f	g	X x h	i	Y x k	n
315	504	268	424	188	40	15	14	80	1x80	88	3x100	16
355	568	304	488	224	40	15	14	88	1x100	90	4x90	18
400	626	338	546	258	40	15	14	100	1x110	99	4x100	18
450	530	435	450	355	40	15	14	53,5	3x100	51	4x100	22
500	580	480	500	400	40	15	14	76	3x100	76	4x100	22
560	640	530	560	450	40	15	14	51	4x100	56	5x100	26
630	730	600	630	500	50	20	20	80	4x100	105	4x120	24
710	810	660	710	560	50	20	20	60	5x100	97,5	5x115	28
800	900	730	800	630	50	20	20	95	5x100	80	7x100	32
900	1000	810	900	710	50	20	20	85	6x100	80	8x100	36
1000	1100	900	1000	800	50	20	20	80	7x100	80	9x100	40
1120	1220	1000	1120	900	50	20	20	80	8x100	90	10x100	44
1250	1350	1100	1250	1000	50	20	20	80	9x100	105	11x100	48

Edition 2023 • Subject to alteration • Copyright by COLASIT AG Spiez

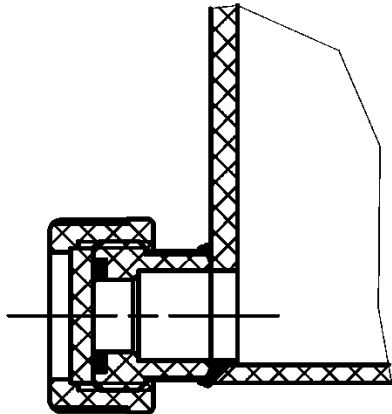
COLASIT AG
 Plastic construction • Faulenbachweg 63 • CH-3700 Spiez
 Phone +41 (0)33 655 61 61 • fans@colasit.com
www.colasit.com

Competence in plastics. Worldwide.

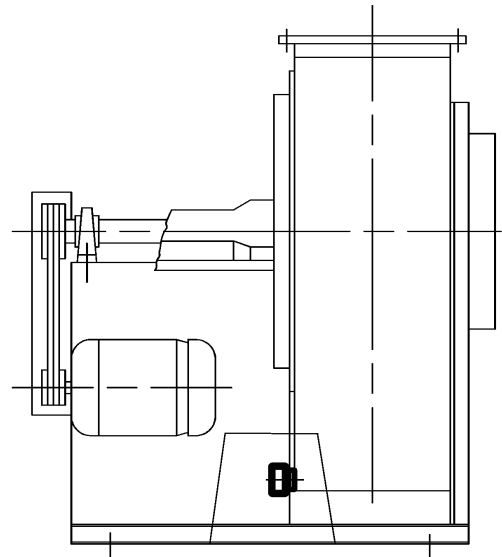
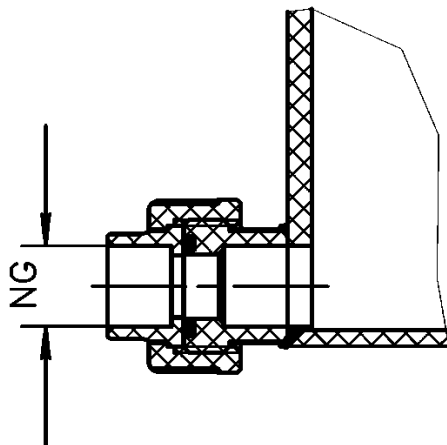


Drain

TYP K

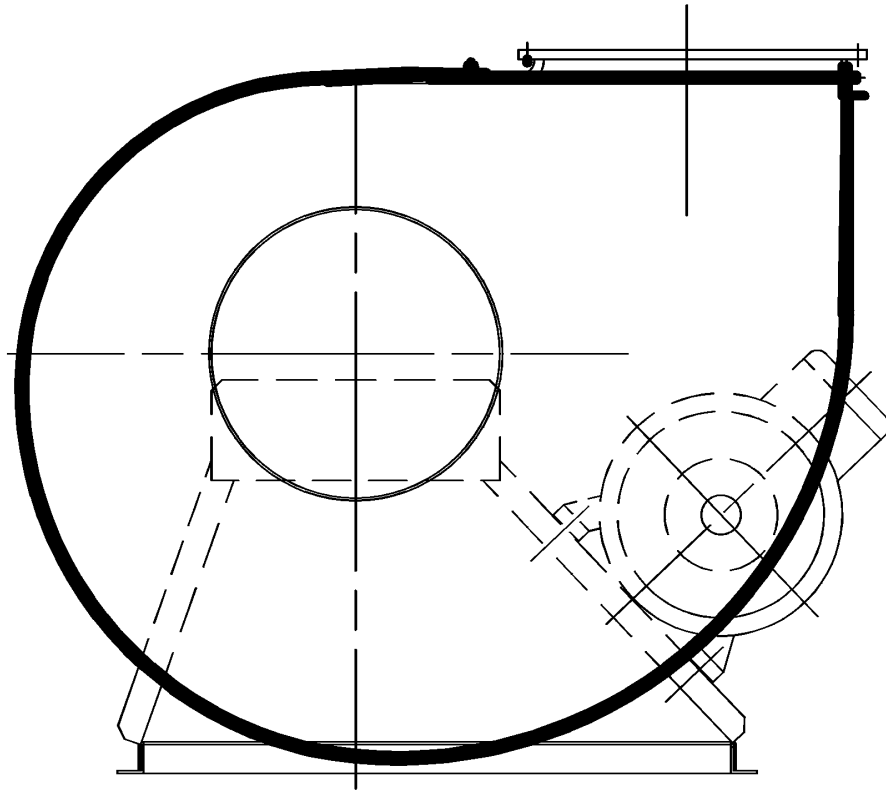


TYP V

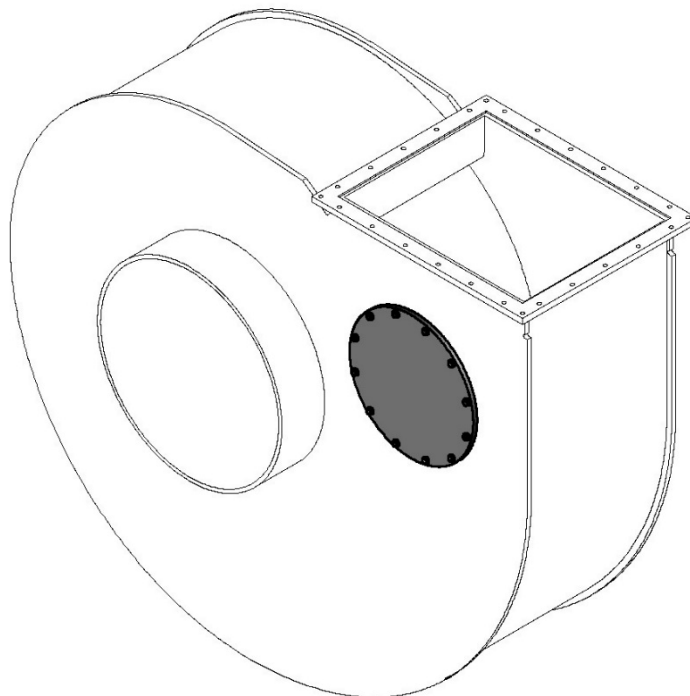


Fan Type	With cap	With fitting	NG
CHVN 315-1250	Typ K	Typ V	25

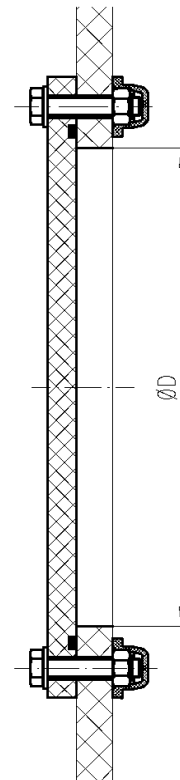
Splinter protection



Inspection hole



Fan Type	Ø D
CHVN 315-560	200
CHVN 630-1250	315



Edition 2023 • Subject to alteration • Copyright by COLASIT AG Spiez

COLASIT AG

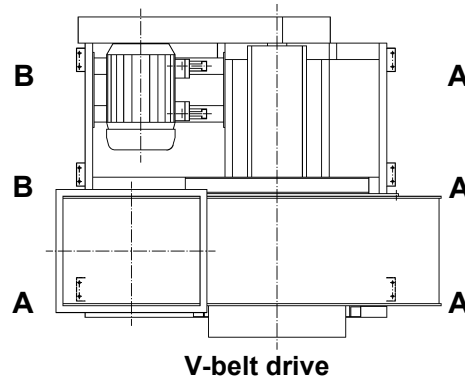
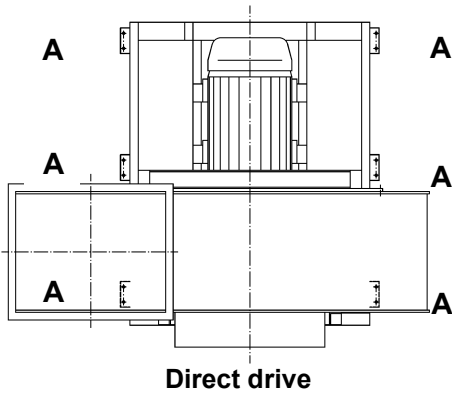
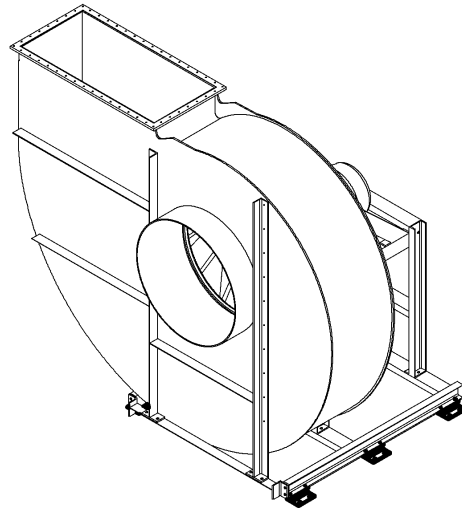
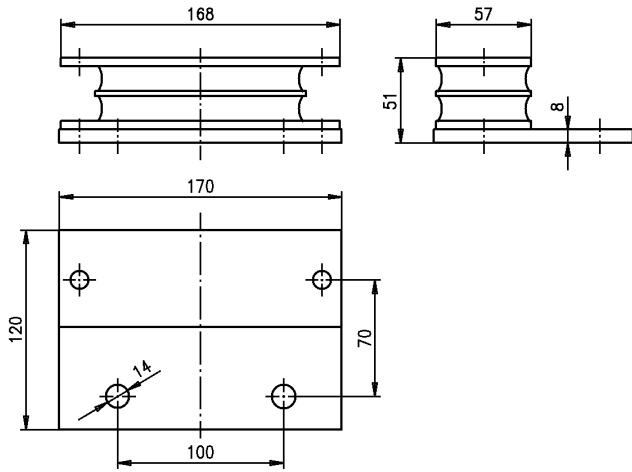
Plastic construction • Faulenbachweg 63 • CH-3700 Spiez
Phone +41 (0)33 655 61 61 • fans@colasit.com

www.colasit.com

Competence in plastics. Worldwide.

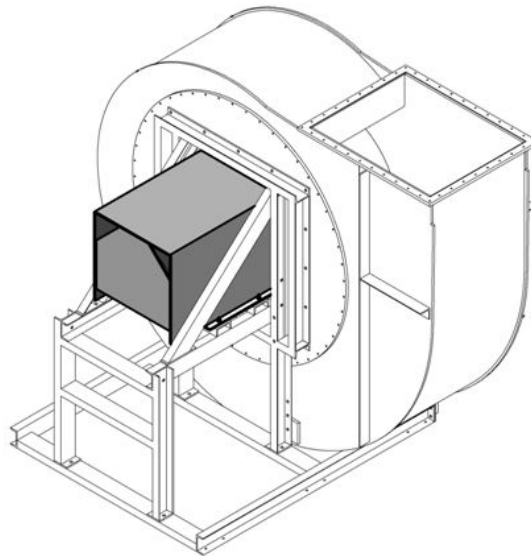


Vibration absorbers



Fan Type CHVN	Motor- weight kg	Number of elementes					
		Direct drive		V-belt drive			
		Position A 45°Sh	Position A 45°Sh	Position B 45°Sh	Position B 55°Sh	Position B 65°Sh	Position B 70°Sh
800	< 300	6	4	2			
	300-550	6	4		2		
	550-800	6	4			2	
900	< 300	6	4	2			
	300-550	6	4		2		
	550-800	6	4			2	
1000	< 300	6	4	2			
	300-550	6	4		2		
	550-800	6	4			2	
	800-1100	6	4				2
1120 1250	< 300	6	4	2			
	330-550	6	4		2		
	550-800	6	4			2	
	800-1100	6	4				2

Motor cover direct drive



Motor cover v-belt drive

